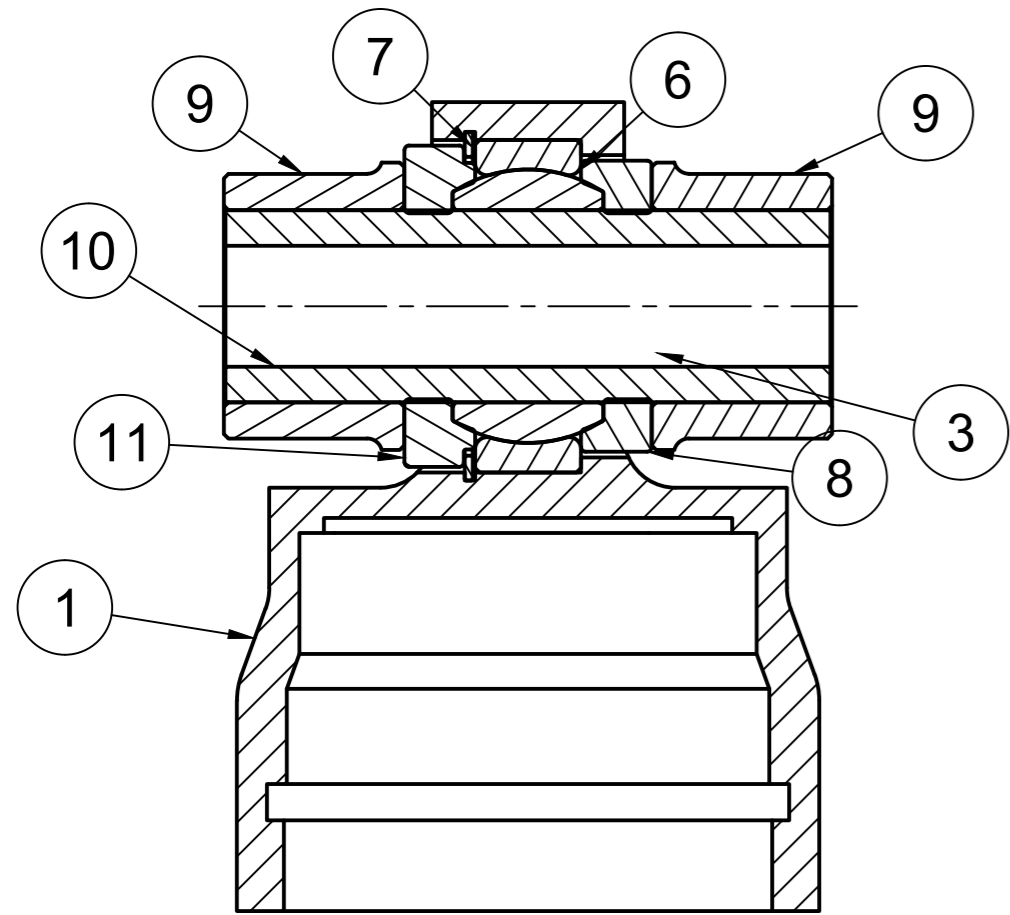
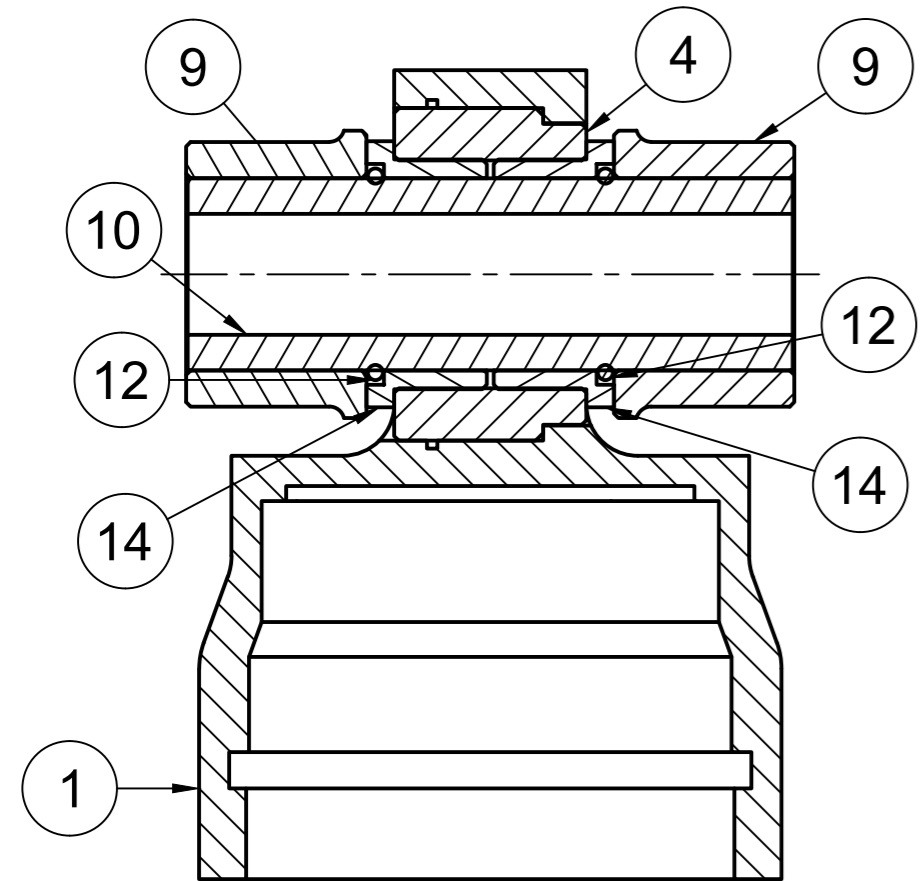


Revision History		
Rev	Description	Date
A	First Iteration	2024-07-05
B	Spherical configuration for trunnion added	31/07/2024

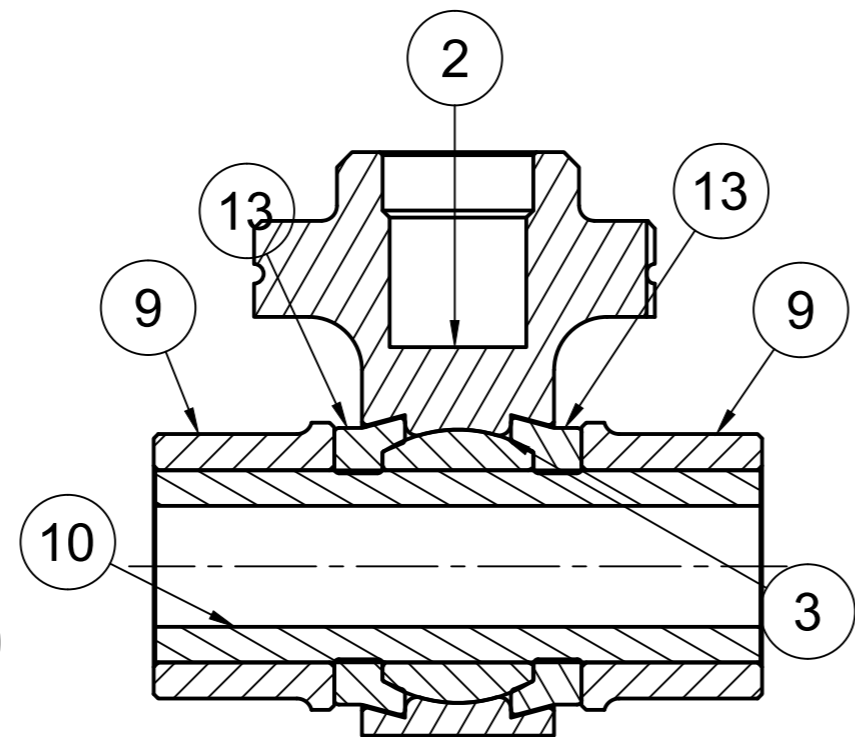
Parts List	
Item	Part Number
1	R00056 Reservoir Bridge (Eyelet)
2	R00062 Eyelet Spherical (Short)
3	R00055 Spherical Ball
4	R00042 Hardware Adapter 1/2"
5	R00064 Eyelet Standard (Short)
6	R00051 Outer Ring Spherical Bearing
7	SML-VHM22 Retaining Ring Eyelet
8	BON-VS04 - Spherical Movement Restrictor (Bearing)
9	HXXXX Dummy Spacer
10	HXXXX Dummy Pin
11	BON-VS05 - Spherical Movement Restrictor (Standard)
12	MOR0120010/N (12.00x1.00mm)
13	BON-VS06 - Spherical Movement Restrictor (Eyelet)
14	RFE-213-01-263 Eyelet Bushing
15	H00050 (8x15.0 Pin)
16	H00052 (Spacer 15mm Pin)
17	Eyelet Bushing 19/32"x0.5"x0.5"
18	H00038 (8x16.45 Pin)



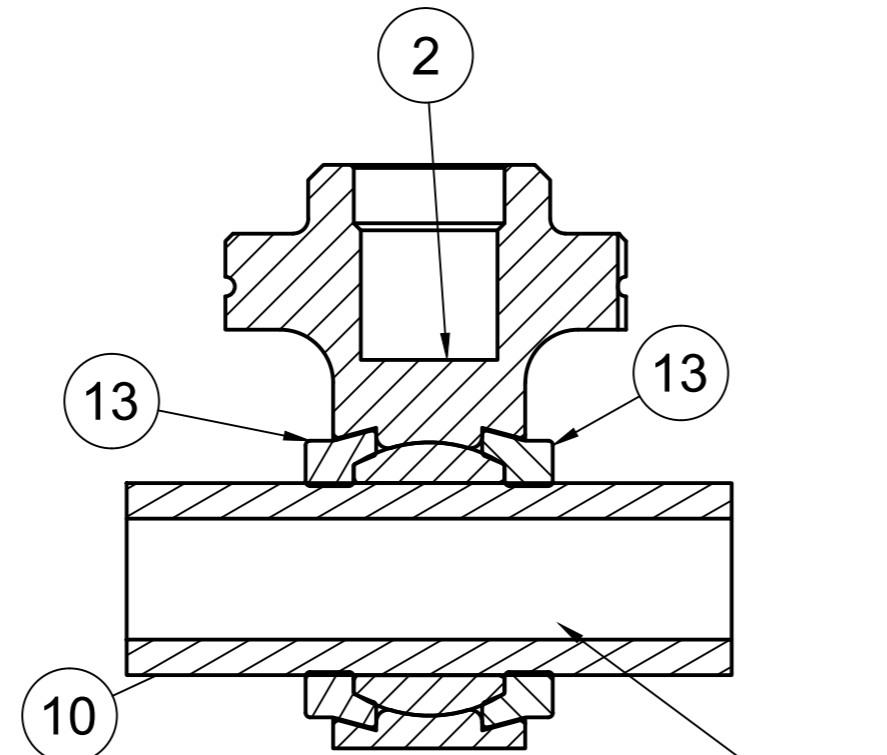
SPHERICAL HARDWARE RESERVOIR BRIDGE



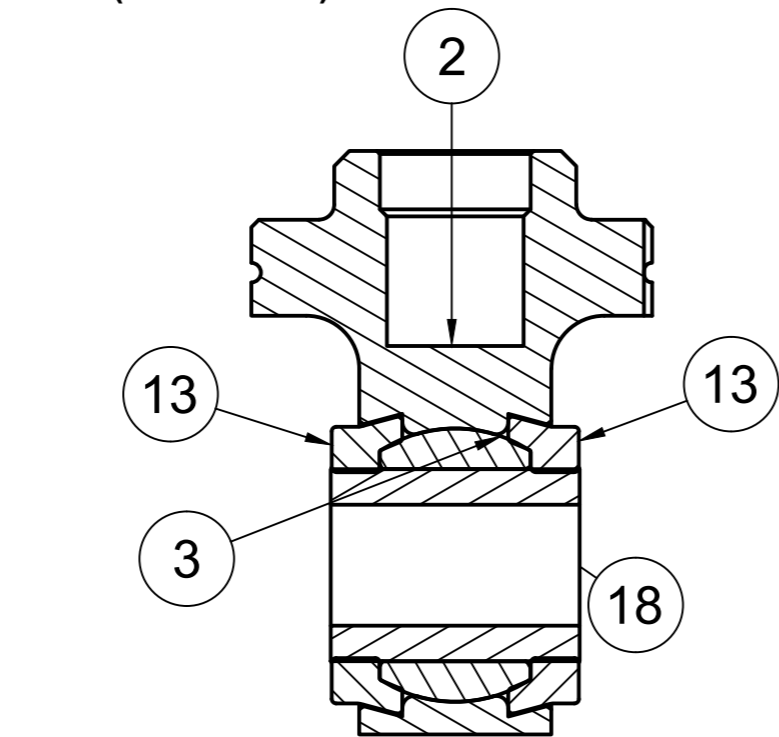
STANDARD HARDWARE RESERVOIR BRIDGE



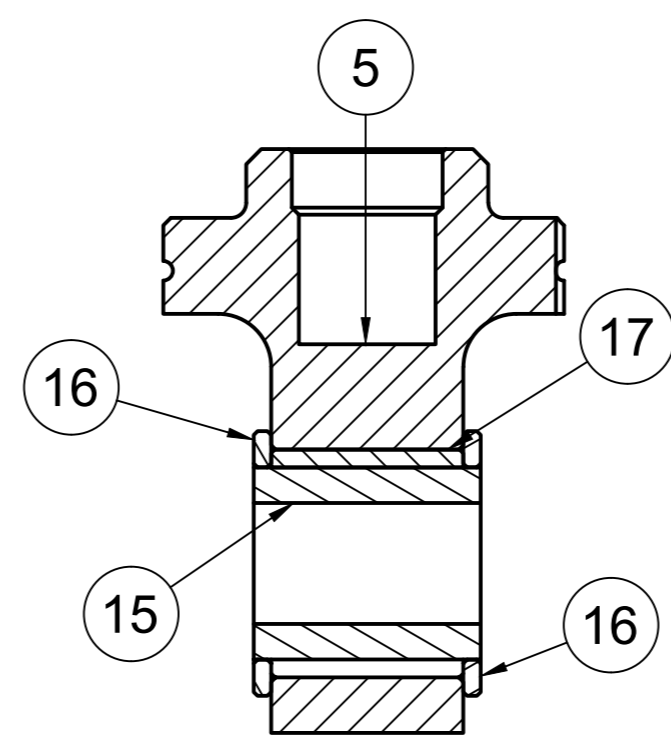
SPHERICAL HARDWARE EYELET (STANDARD EYELET)



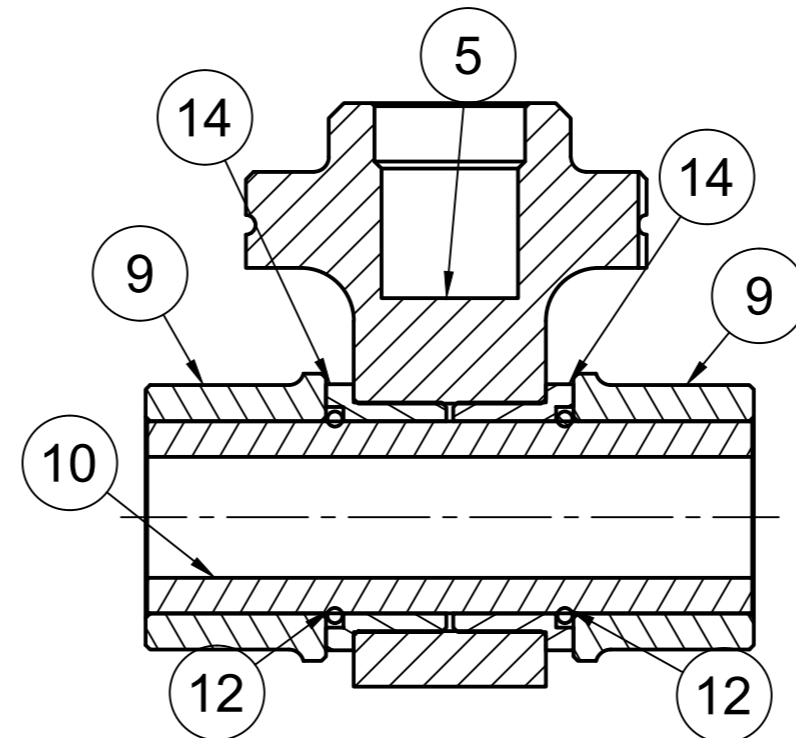
SPHERICAL HARDWARE EYELET (TRUNNION)



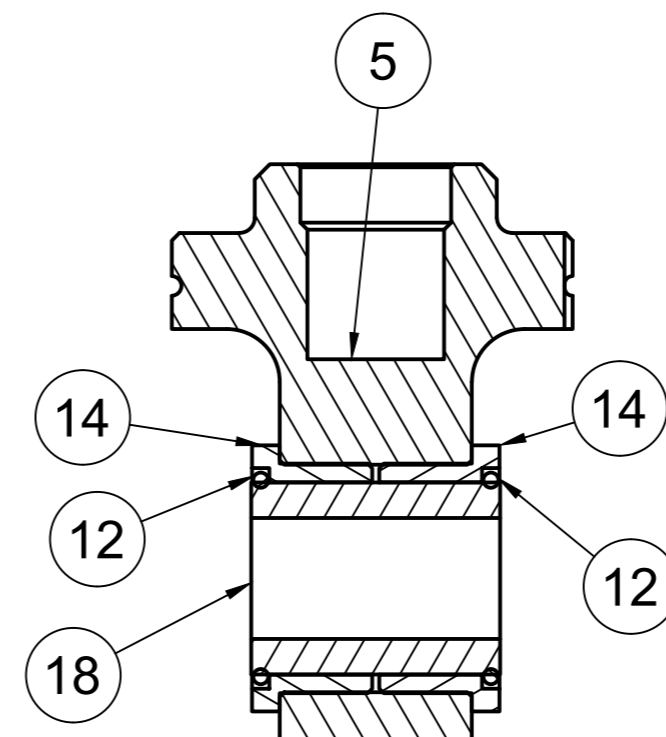
SPHERICAL HARDWARE EYELET (STANDARD EYELET) 16.45mm WIDE (no spacers)



STANDARD HARDWARE EYELET 15.0mm WIDE (standard only - not spherical compatible)



STANDARD HARDWARE EYELET 16.45mm WIDE (no spacers)



STANDARD HARDWARE EYELET 16.45mm WIDE (no spacers)

	Technical reference	Created by Dan Murray 05/07/2024	Approved by
		Document type Assembly Drawing	Document status Production
		Title Hardware Configurations	DWG No.
		Rev. B	Date of issue 2024-07-05